

MDR

MOBILE IMAGING SYSTEM



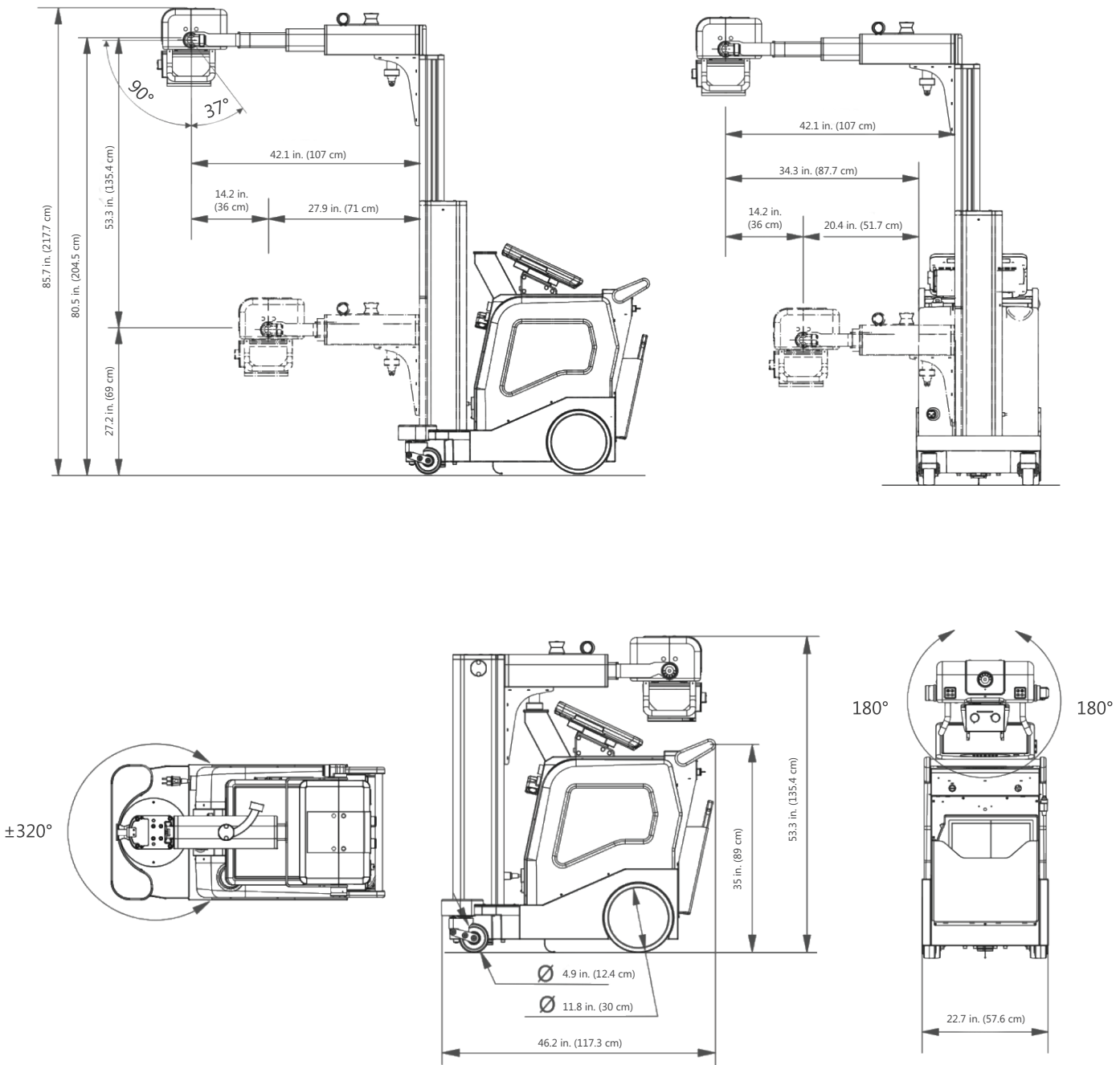
MDR Mobile System

Width (in transport position):	22.7" (57.6 cm)
Length (in transport position):	46.2" (117.3 cm)
Height (in transport position):	53.3" (135.4 cm)
Transport handle height:	35" (89 cm)
Focus-ground distance:	27.2" (69 cm) to 80.5" (204.5 cm)
Max height:	86" (217.6 cm)
Arm extension (telescopic):	14.2" (36 cm)
Front range:	28" (71 cm) to 42" (107 cm)
Lateral range:	20" (51.7 cm) to 34.5" (87.7 cm)
Rotation of X-ray tube head:	A-swivel, $\pm 180^\circ$ B-swivel, $\pm 320^\circ$ (from transport position) C-swivel, 127° (90° forward, 37° backward)
Speed forward (in transport position):	0-3 mph
Speed forward (in working position):	0-1.6 mph
Speed backwards:	0-1.6 mph
Weight (batteries included):	959lbs. (435 kg)

DR Workstation

Operating System:	Windows 7 Pro 64-bit
Processor:	3.0 GHz, Intel Core i5
Storage/Memory:	16 GB RAM, 1 TB HD





www.delmedical.com

New York
 28 Calvert Street
 Harrison, NY 10528
 (Tel) 800.261.9808
 (Fax) 914.835.6111

Chicago
 241 Covington Drive
 Bloomingdale, IL 60108
 (Tel) 800.800.6006
 (Fax) 847.288.7011

DEL MEDICAL

#9000-MDR 05.18